
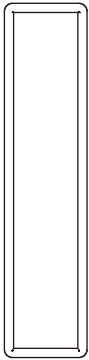
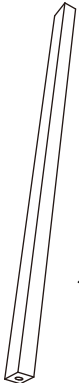




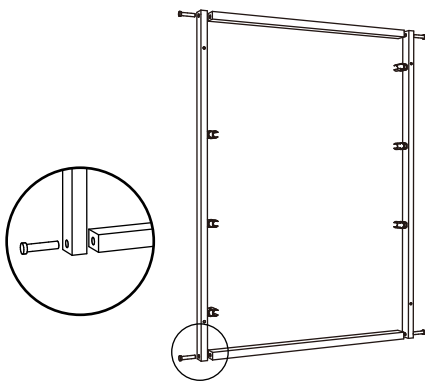


# 3BWR-FRAME Assembly Instruction

## Parts included

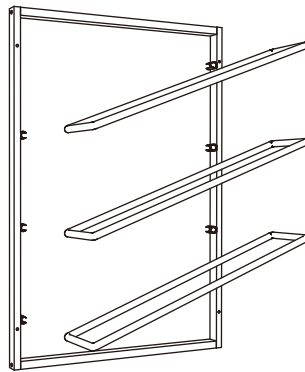
①	②	③	④	⑤	⑥
 <p>*2</p>	 <p>*3</p>	 <p>*2</p>	 <p>*4</p>	 <p>*1</p>	 <p>*4</p>  <p>*4</p>

Step1



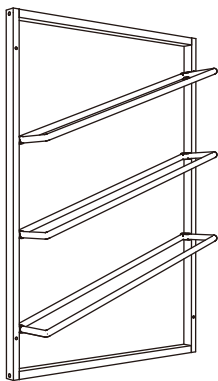
Screw a metal connector into metal frame as shown.

Step2



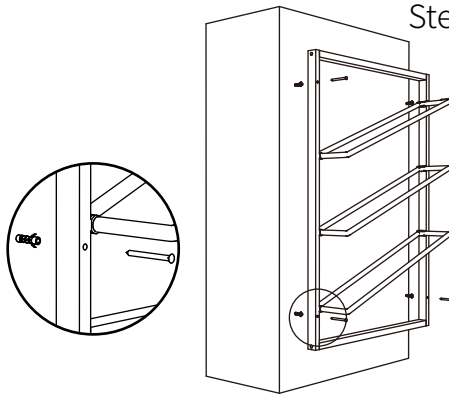
Screw another 3 pieces metal connectors into metal frame one by one same as step1

Step3



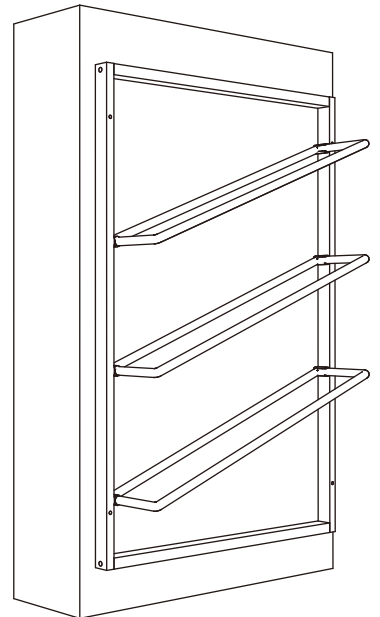
Screw the other side of metal frame same as step1 and step2.

Step4



Put 4 pieces of rubber plugs into the top of metal frame one by one as shown

Step5



Joint Two items into one with 2 pieces connectors as shown

**Important :** 1.Tighten all hex screws with a hex wrench.  
2. Use wall Mount accessories to mount the item into wall