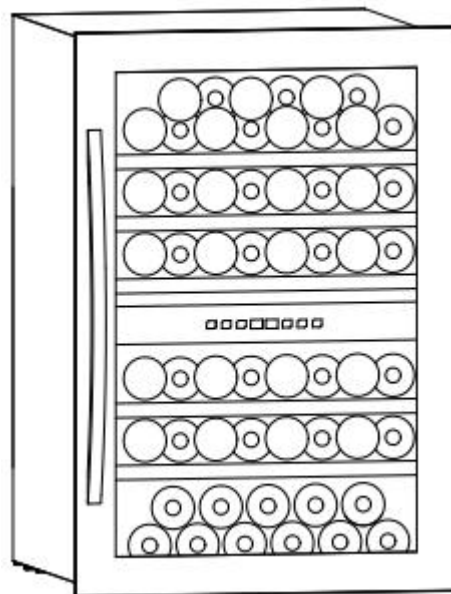




Wine Cooler Instruction Manual

CCI152DB



NOTE: Thank you for your purchase of the wine cooler ! This product is used to chill red wine. Our product will create perfect temperature and humidity environment to store your collection of wine quietly and peacefully.



Content

Safety instructions & warnings	1-2
Installation	3
Description of the appliance.....	4-6
Operation.....	7-9
Troubleshooting	10
Maintenance and cleaning	11
Technical parameters.....	12

Safety instructions & warnings

Your safety is of the utmost importance to our company. Please make sure that you read this instruction booklet before attempting to install or use the appliance. If you are unsure of any of the information contained in this booklet, please contact the Technical Department.



Caution

- This appliance can be used by children aged from 8 years and above and persons with reduced physical, sensory or mental capabilities or lack of experience and knowledge if they have been given supervision or instruction concerning use of the appliance in a safe way and understand the hazards involved. Children shall not play with the appliance. Cleaning and user maintenance shall not be made by children without supervision.
- Children should be supervised to ensure that they do not play with the appliance .
- This appliance is intended for HOUSEHOLD USE ONLY and not for commercial or industrial use .

Warning

- Keep ventilation openings, in the appliance enclosure or in the built-in structure, clear of obstruction .
- Do not use mechanical devices or other means to accelerate the defrosting

process , other than those recommended by the manufacturer.

- Do not damage the refrigerant circuit.
- Do not use electrical appliances inside the storage compartments of the appliance, unless they are of the type recommended by the manufacturer.
- Make sure that the appliance is connected to power supply in accordance with the rating label .
- Use an independent grounded socket with 10A or higher, do not connect to transformer or socket with multiple outlets.
- Make sure socket is grounded properly and do not modify power cord & plug.
- For safety reasons and to ensure the optimum functionality of the wine cooler it's important that you connect your wine cooler using an earth/ ground connection plug and keep the wine cooler perfectly plumb and level.
- Connect power plug with socket firmly in case of possible risk of fire.
- Plug should be within reach for easy disconnection after the appliance positioned in case of accidents occurred.
- Do not store or burn gasoline or other inflammables near the appliance in case of possible fire.

- Do not store inflammables, explosives, acid & alkaline liquids etc.in the compartment of the appliance.
- Do not operate other appliances in the compartment .

Child Safety

- Do not allow child play inside the appliance in case of entrapment.
- Do not allow child hang on the door to play in case of falling of the appliance.
- Do not allow child reach into compressor compartment or touch metal components at rear of the appliance in case of possible injury.

Keep away from water

- Do not spray water on the appliance or wash the appliance by pouring or filling water in case of invalid insulation and possible electric shock.

Be careful of freezing

- Do not touch surface of the liner inside the compartment, especially with wet hand, in case of frozen injury while the appliance is in operation.

Do not open the door for long periods

- Opening the door for long periods can cause a significant increase of the temperature in the compartments of the appliance.

Modification on the appliance not allowed

- Do not reconstruct the appliance by yourself which might cause damages to the appliance .

Unplug the appliance under certain conditions

- Unplug the appliance before cleaning & maintenance .
- Unplug the appliance when power cut occurred.

Disposal of the appliance

- Please according to local regulations regarding disposal of the appliance for its flammable refrigerant and blowing gas.
- Before you scrap the appliance, please take off the doors to prevent children trapped .
- Send the appliance to the designated disposal location .



Do not damage the power cord

- Do not disconnect the appliance by pulling power cord rather than pulling the plug.
- Do not set the appliance above the power cord or step on the cord intentionally.
- Put the power cord at right place when moving the appliance .

When the power cord is damaged

- Do not use damaged power cord, and get it replaced immediately by manufacturer service agent or by qualified electrician .
- If needed, extend the power cord with cord of 0.75mm² or bigger by qualified electrician

Installation

Position

⚠ Do not lean the appliance over 45° when moving it to position.

⚠ The appliance must be put on flat, firm & dry floor or similar noncombustible pad; do not use the package foam pad. **DON'T PLACE A BUILT-IN WINECOOLER ON A HEATED SURFACE SUCH AS HEATED FLOORING, AS THIS WILL AFFECT THE**

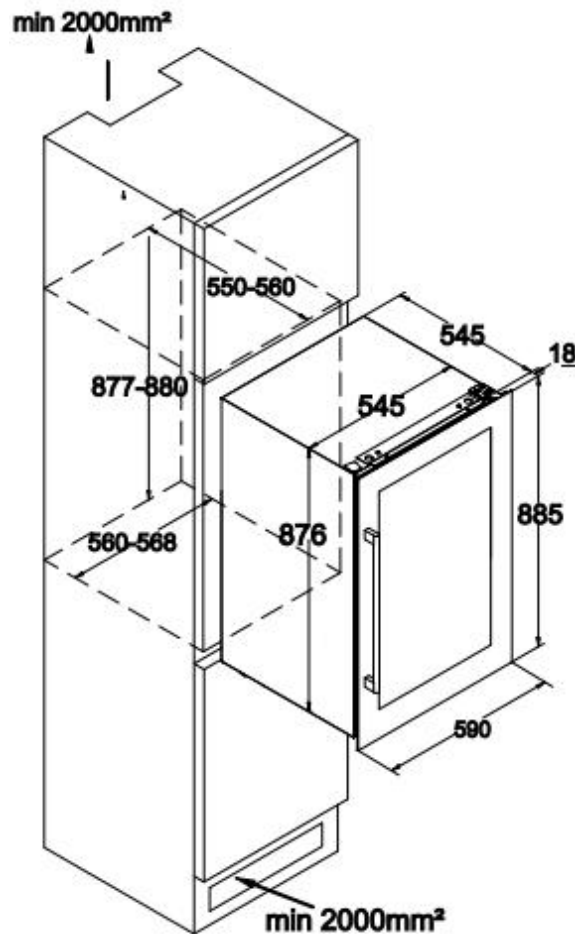
⚠ Do not put the appliance in the wet place.

⊘ Do not use the appliance in the frozen place.

⊘ Do not use the appliance outdoor in case of sunlight or rain.

The appliance is designed to either build under the counter or stand alone on the floor.

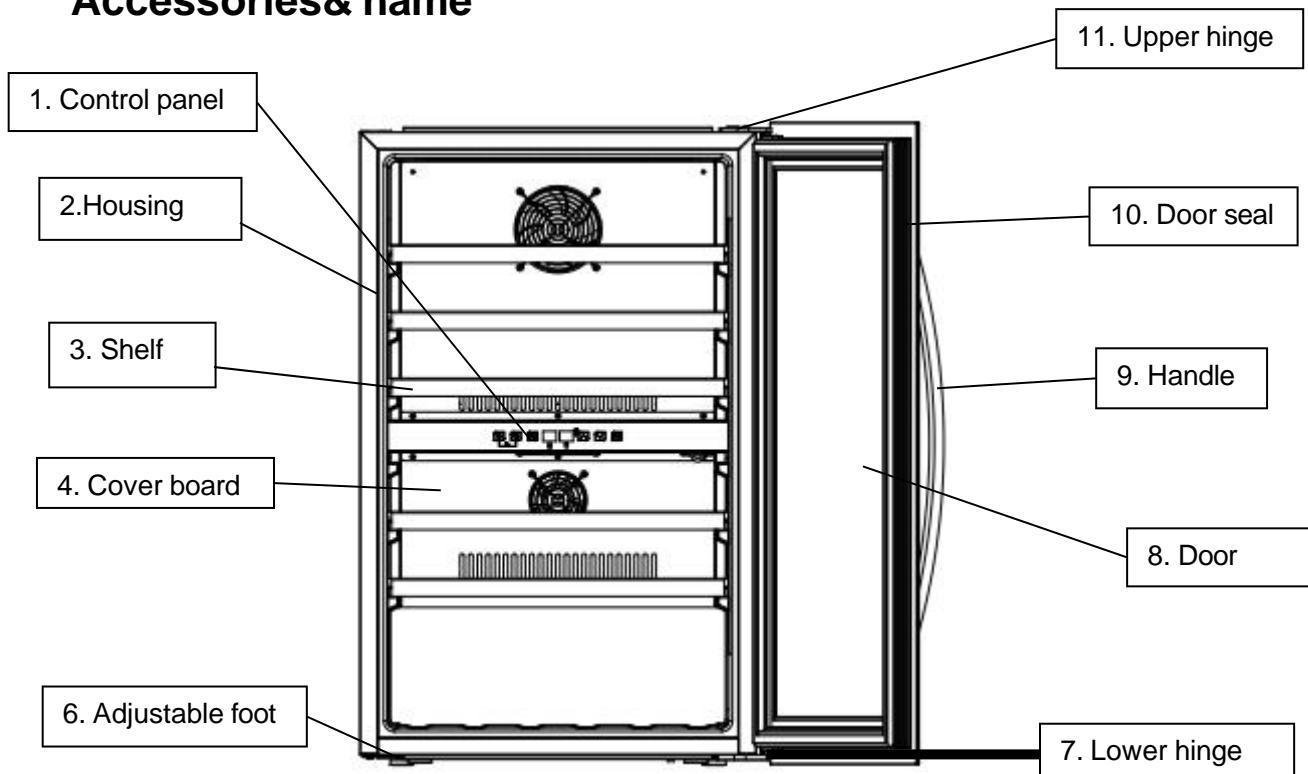
Demonstration for building under the counter:



Wine bottles could be stored when you feel cooling inside after the appliance operates around 1 hour.

Description of the appliance

Accessories& name



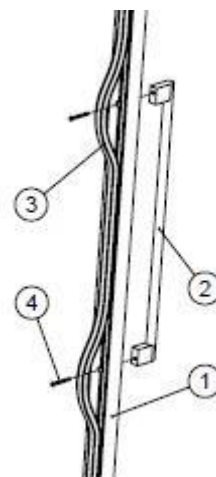
Note: Shelves, door frame, handle and other accessories could be different according to different models and configuration. All photos in this manual are for reference. The appliance you buy might not be exactly the same as shown here. Please refer to the actual product.

Installing the handle and reversing the door of wine cooler

1. Install handle to the door frame of the appliance.

The handle is delivered in a separated package with screws together inside the carton.

① Reveal two small holes on the door frame from inner side by pulling out a bit the door seal ② Aim the handle to the holes and insert the screws from inside ③ Screw them up with screw-driver ④ Put back door seal to cover the screws.



2. Reversing the door

Our wine cooler is delivered with the door opening from left to right. To reverse the opening direction:

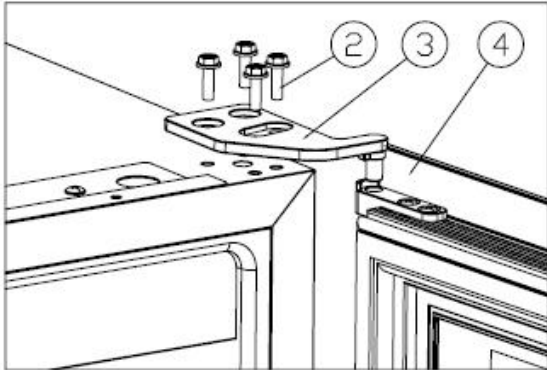


Figure 1

- ✧ Open the door at 90 degrees and keep it steady.
- ✧ Unscrew the M5*16screws②, dismantle the right upper hinge③, and remove the door.[Figure 1].

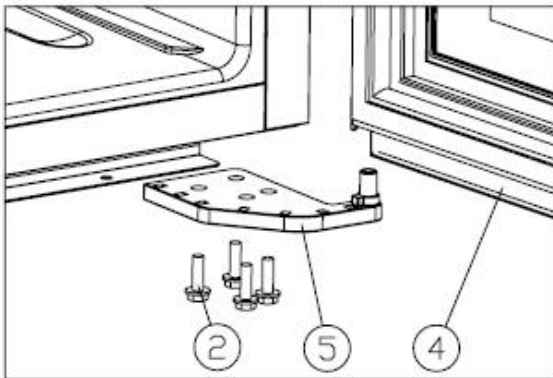


Figure 2

- ✧ Unscrew the M5*16screws②, dismantle the right lower hinge⑤.[Figure 2]

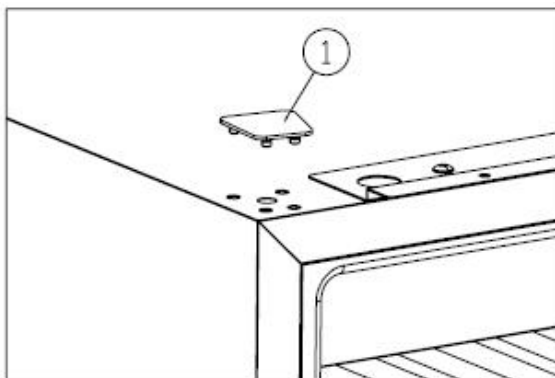


Figure 3

- ✧ Remove the germinal lid①.[Figure 3]

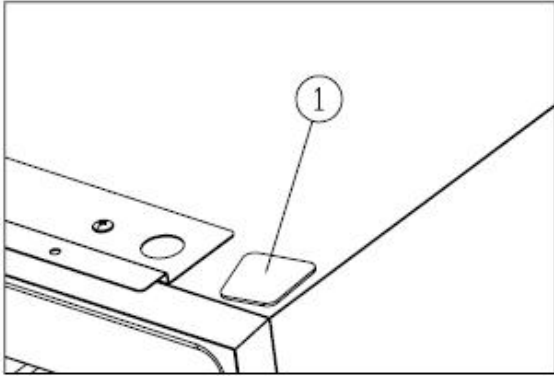


Figure 4

- ✧ Install the germinal lid①.[Figure 4]

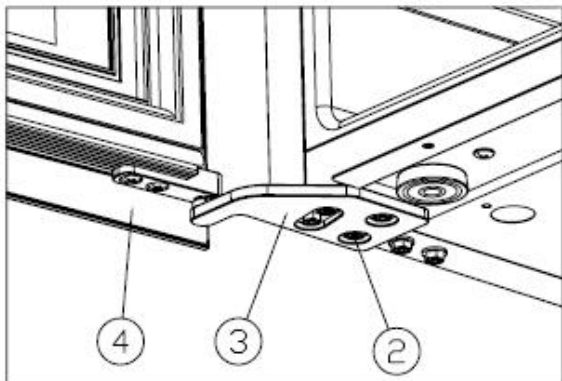


Figure 5

- ✧ Install the right upper hinge ③, and screw tight the M5*16 screws②.[Figure 5]

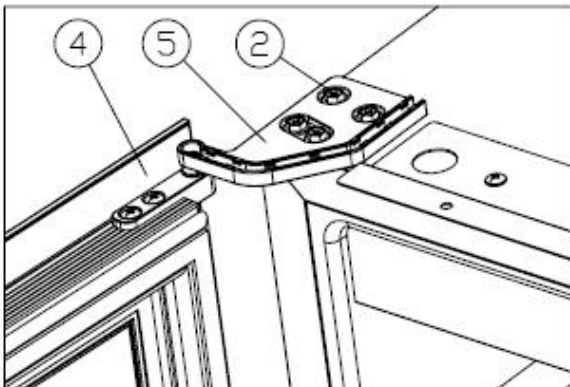


Figure 6

- ✧ Turn the door④ 180 degrees, and insert the right lower hinge⑤, screw tight M5*16 screws②.[Figure 6]Door reversing is finished.

Operation

Start operation

1. Cleaning the compartment

Before power on, clean inside of the appliance and check the drainage pipe in good connection. (For details, please refer to the “Maintenance and cleaning”)

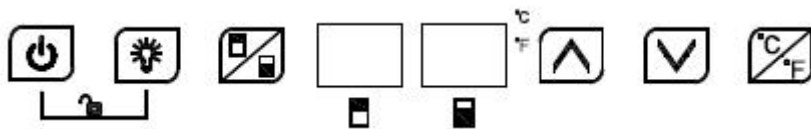
2. Put the appliance still

Before power on, level the appliance on the firm & dry floor for at least 30 minutes.

3. Power on

The appliance start operation and it will cool down inside after 1 hour, otherwise you should check the power connection.

Control panel



All keys would be invalid in lock mode. Please unlock first.

ON/OFF

1. Keep pressing the key 3 seconds, power down, goes to stand-by mode.
2. Keep pressing the key again 3 seconds to return back to normal working.

Light

Press the key, turn on or turn off the LED lights inside. In stand-by mode, the key is invalid.

Zone switch

Press the key to switch between upper zone and lower zone for choosing which zone to set temperature. Press the key once, the LED display in chosen zone flash regularly. Press up and down key to set temperature. Press the key again; switch the zone to set temperature.

UP

Press the key once, LED Display in regular flash showing current set temperature. Continue pressing to adjust set temperature, one press increase 1°C. Regular flash quit after 5 seconds detecting no press and new set temperature save. LED display return to show actual temperature inside.

 **Down**

Press the key once, LED Display in regular flash showing current set temperature. Continue pressing to adjust set temperature, one press reduce 1°C. Regular flash quit after 5 seconds detecting no press and new set temperature save. LED display return to show actual temperature inside.

**Child Lock (Combination key)**

1. Lock: Press both keys at the same time for 3 seconds to lock.
2. Unlock: Press both keys at the same time for 3 seconds to unlock.

**Fahrenheit/Celsius display interchange**

Switch temperature display between Fahrenheit and Celsius by pressing and holding the key for 2 seconds.

 **Attention**

1. The ex-factory temperature of this product is 12 °C , and the corresponding temperature range needs to be set according to the actual wine.
2. For both upper and lower zone, the cooling temperature could be set from **5-22°C**. And temperature of lower zone could only be set equal to or higher than that of upper zone.
3. Alarm sound: when the system malfunction occur and alarm sound, press any key on the control panel to cancel the alarm sound.
4. Error code:

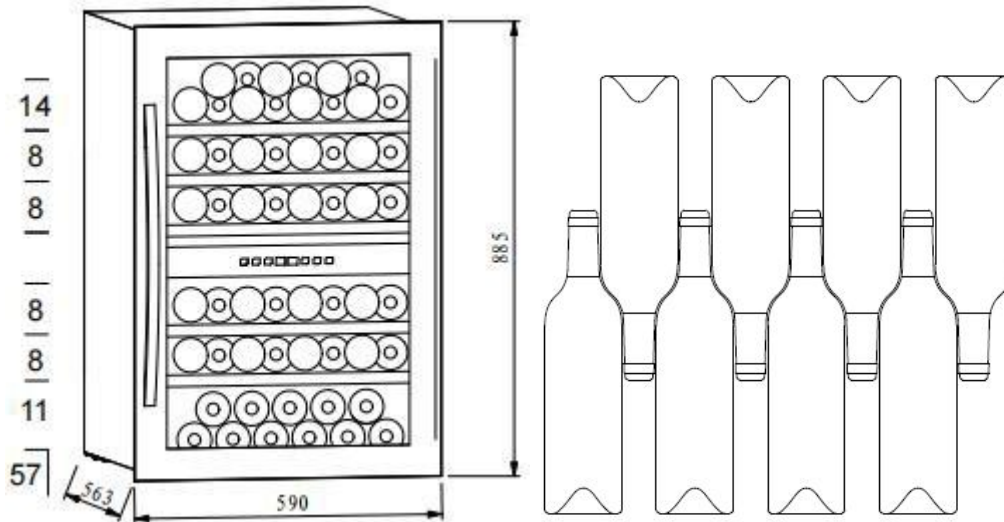
When the temperature sensor of upper zone failure occur, error code displays:
E1 for open circuit; E2 for short circuit.

When the defrost sensor failure occur, error code displays: E3 for open circuit;
E4 for short circuit.

When the temperature sensor of Lower zone failure occur, error code displays:
E5 for open circuit; E6 for short circuit.

Wine storage

- ✧ The appliance equip with sufficient independent shelf to allow your collection of wine get mature quietly and peacefully.
- ✧ 5 been wooden shelves loading capacity: **57** bottles. (standard Bordeaux with 750ml)



- ✧ Loading capacity will vary in terms of different way of bottle arrangement or different bottle sizes.
- ✧ Each shelf is designed to put on 1 or 2 layers of wine bottles. More than 2 layers of bottle arrangement on one shelf are not recommended.
- ✧ Each shelf could pull out partly to store wine bottles easily.
- ✧ Open the door straight enough before pulling out shelves.
- ✧ The shelf should be avoided in front of the fan as much as possible to avoid blocking the air inlet and affecting the cooling efficiency.
- ✧ If the wine cooler would have no load for a long time, it is recommended to power it off, clean it carefully, and open the door for ventilation.
- ✧ Below table is the recommended temperature for wine storing & drinking:

Red Wine	15-18°C
White Wine	9-14°C
Rose wine	10-11°C
Champagne & sparkling wine	5- 8°C

Troubleshooting

The appliance makes lots of noise?	<ul style="list-style-type: none"> ● Please adjust the front foot, keep the appliance leveling. ● Please keep the appliance a bit space from walls.
Liquid flowing sound inside the cabinet?	<ul style="list-style-type: none"> ● It is normal because of the refrigerant working inside.
The appliance does not start?	<ul style="list-style-type: none"> ● Make sure the appliance is connected to the power properly. ● Make sure switch on the power. ● The compressor re-starts after 5 minutes for a power cut.
Compressor runs continuously?	<ul style="list-style-type: none"> ● If no cold is being produced, call the after-sale service.
Door does not seal tightly?	<ul style="list-style-type: none"> ● After long time use, the door seal might get stiff & distorted partially. <ol style="list-style-type: none"> 1. Heat the door seal with hot-wind blower or hot towel. 2. The door seal get softened and close the door.
The appliance does not cool sufficiently?	<ul style="list-style-type: none"> ● Please adjust temperature setting. ● Keep the appliance away from sunlight or heat. ● Please do not open the door frequently.
Unpleasant smells inside cabinet?	<ul style="list-style-type: none"> ● A little bit plastic smell for newly-buy appliance is normal and will disappear after a short time. ● Clean the compartment and ventilate it for a few hours.
Condensate on the glass door?	<ul style="list-style-type: none"> ● Please do not open the door frequently or for a long time. ● Please do not set the temperature too low. ● High ambient temperature and humidity would cause condensate.
The light is not working?	<ul style="list-style-type: none"> ● Check the power supply first. ● Call the retailer's after-sale service if the light is broken.

Maintenance and cleaning

Cleaning

- Disconnect the appliance before cleaning.
- Clean the appliance with soft cloth or sponge by water.
- Do not use organic solvents, alkaline detergent, boiling water, washing powder or acid liquid etc.
- Do not flush the compartment of the appliance.
- Clean regularly surfaces that can come in contact with accessible drainage systems.

The below items will damage the surface of wine cooler:




Power cut

Most power cuts could be resolved within a short time. To protect your wines during a power cut, avoid opening the door as much as possible. During very long power cuts, take the necessary measures to protect your wine.

Out of service for long time

Remove all bottles from the appliance, switch off, defrost, clean, dry, and leave the door open to prevent mould developing within the appliance.

 If the appliance is disconnected or if there is a power cut, you must wait at least five minutes before re-starting.

Moving the appliance

- Cut off the power supply and unplug the appliance.
- Remove all bottles from the appliance.
- When moving the appliance, do not lean the appliance over 45°.



Technical parameters

Product model	CC1152DB
Voltage/frequency	220-240V~/50Hz
Refrigerant/weight	R600a/32g
Effective volume	143L
Loading capacity	57 bottles
Net weight	42kg
Unit dimension (WxDxH)	590X563X885
Packing dimension (WxDxH)	650X650X945

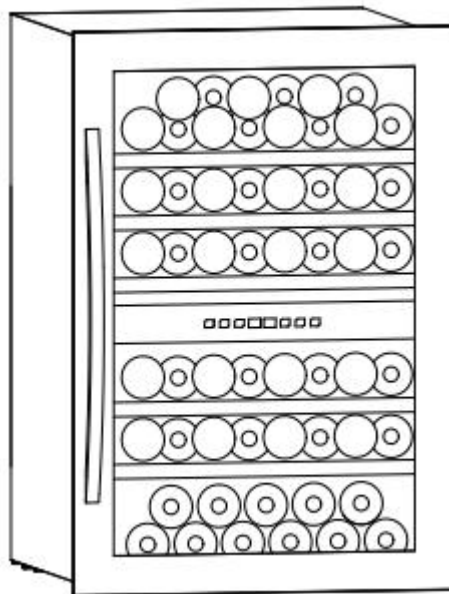
Remarks :

1. The Net weight includes shelves and the Unit dimension is without handle on the door.
2. The manufacturer reserves all the rights to change the above parameters without prior notice. Please refer to the nameplate of your appliance.
3. Loading capacity will vary in terms of different way of bottle arrangement or different bottle sizes (standard Bordeaux with 750ml is applied here).

Vinkøleskab

Betjeningsvejledning

CCI152DB



NOTE: Tak for dit køb af dette vinkøleskab. Dette produkt benyttes til at køle vin. Vores produkt skaber den perfekte temperatur og luftfugtighed til at opbevare din vinsamling i.



Indhold

Sikkerhed og advarsler	1-2
Installation.....	3
Beskrivelse af apparatet	4-6
Betjening	7-9
Problemløsning.....	10
Vedligeholdelse og rengøring	11
Tekniske specifikationer	12

Sikkerhed og advarsler

Din sikkerhed er yderst vigtig for vores firma. Venligst læs denne vejledning inden du tager apparatet i brug. Skulle du være tvivl om nogle informationer i denne vejledning, venligst kontakt os.



Prohibition



Warning



Caution



Caution

- Dette apparat kan benyttes af børn over 8 år og af personer med nedsatte fysiske, sensoriske eller mentale evner eller manglende erfaring og viden, hvis de er under opsyn eller er blevet instrueret i sikker brug af apparatet og forstår de farer, som anvendelse af apparatet indebærer. Børn må ikke lege med apparatet. Rengøring og vedligeholdelse må ikke udføres af børn uden opsyn.
- Dette apparat bør ikke betjenes af børn. Børn må ikke lege med apparatet, da der kan fare forbundet.
- Dette apparat er beregnet til brug i private hjem og ikke til professionel eller industrielt brug.



Warning

- Hold ventilations åbninger frie på apparatet og udluftning fri ved indbygning.
- Brug ikke mekaniske apparater eller andre redskaber for at gøre afrimning og optøning hurtigere

- Ødelæg ikke kølerør og lignende.
- Benyt ikke elektriske apparater inden i skabet.
- Apparatet må kun tilsluttes strøm i.h.t. til rating label på siden eller bagsiden af apparatet.
- Tilslut apparatet til 220-240 V / 50 Hz vekselstrøm via en korrekt installeret stikkontakt med jordforbindelse. Stikkontakten skal være sikret med en 10 -13 A sikring. Vinkøleskabet leveres med en såkaldt Schuko stikprop som er standarden i de fleste lande i Europa. Dette er et 2-benet stikprop med sidejord.
- Mange danske hjem har en stikkontakt med dansk jord (3 ben). I de tilfælde skal du tilkøbe en adapter hos din forhandler, som nemt klikkes på.
- Alternativt skal du eller en autoriseret elinstallatør skifte stikproppen til den danske 3-benede stikprop som du ligeledes kan købe hos din forhandler.
- Make sure socket is grounded properly and do not modify power cord & plug.
- Stikket bør være nemt tilgængeligt itilfælde nødstop.
- Opbevar ikke benzin, brandbare væsker, og lignende indeni eller i nærheden af apparatet.

Børne sikkerhed

- Tillad ikke børn at lege inden i skabet, da de kan blive spærret inde.
- Tillad ikke børn at lege med eller hænge på døren, da skabet kan vælte.
- Tillad ikke børn at røre ved kompressor eller andre ting under skabet pga. fare.

Vinkøleskabet tåler ikke vand

- Sprøjt eller hæld ikke vand i skabet, da det kan kortslutte.

Pas på fryseskader

- Rør ikke ved de indvendige flader med våde hænder, da det kan give fryse skader.

Åben ikke døren i længere tid

- Hvis døren er åben i lang tid vil det påvirke skabet køleevne.

Modificer ikke skabet

- Sluk for strømmen og træk stikket ud før rengøring og vedligehold.

Sluk for strømmen og trækstikket ud hvis:

- Sluk for strømmen og træk stikket ud før rengøring og vedligehold.
- Træk stikket ud i tilfælde af strømsvigt i huset eller området.

Bortskaffelse af apparatet

- Afskaffes i henhold til lokale bestemmelser vedrørende bortskaffelse af apparatet for dets brændbare kølemiddel og blæsegas.
- Før du smider apparatet ud, bør døren afmonteres, så børn ikke leger med apparatet.
- Skal afleveres på den nærmeste genbrugs plads.



Lav ikke skader på ledningen

- Træk ikke stikket ud ved at hive i ledningen, men kun ved at trække stikket ud.
- Stil ikke apparatet oven på ledningen.
- Rul ledningen sammen når skabet flyttes for at undgå skader.

Hvis ledningen er skadet

- Brug ikke ledningen hvis den er skadet, få en ny monteret af autoriseret montør.
- Hvis det er nøsvendigt at forlænge strømledningen benyttes en ledning på 0,75 mm² eller større af en kvalificeret elektriker.

Installation

Position

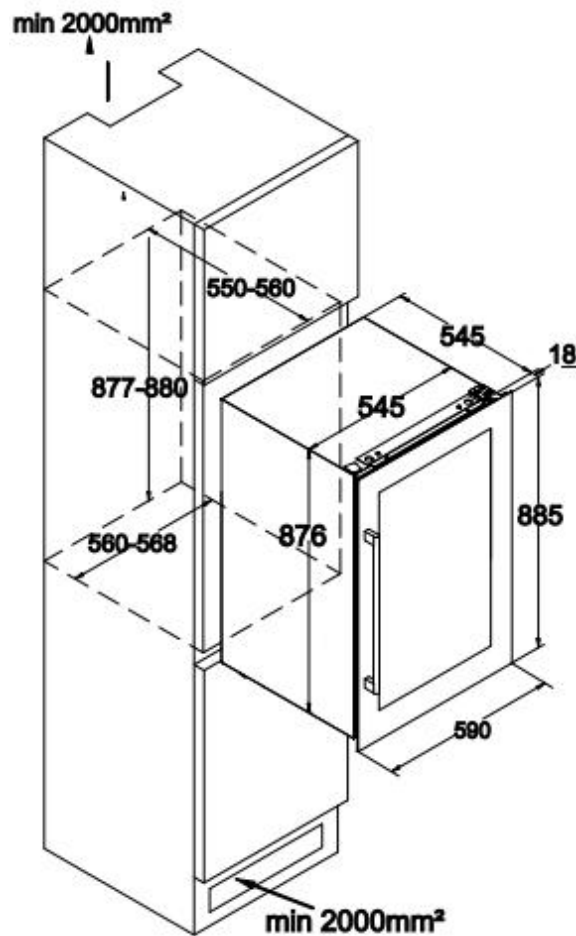
⚠ ved flytning af apparatet bør det ikke vippes over 45°.

⚠ Apparatet skal placeres på et plant, fast og tørt gulv eller et lignende ikke brændbart underlag. **PLACER IKKE APPARATET PÅ EN OVERFLADE MED GULVVARME DA DET VIL PÅVIRKE KØLEEVNEN.**

- ⚠ Placer ikke apparatet i et fugtigt rum.
- ⊘ Placer ikke apparatet i et rum der ikke er frost frit.
- ⊘ Placer ikke apparatet udendørs.

Dette vinkøleskab er designet til indbygning.

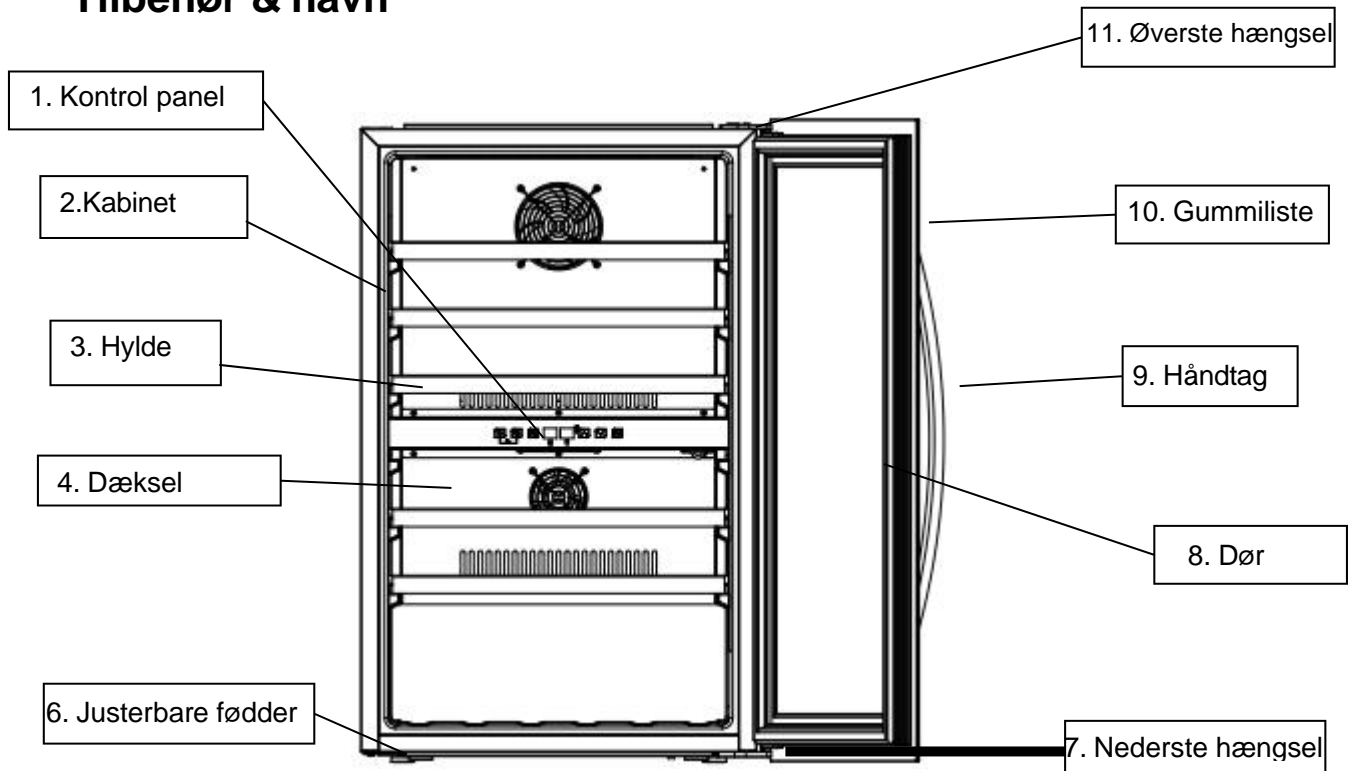
Se nedenstående for indbygning:



Vinflasker kan opbevares i skabet, så snart du kan mærke køling i skabet, efter ca. 1 time.

Beskrivelse af apparatet

Tilbehør & navn



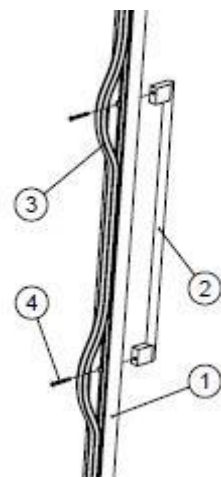
Note: Hylder, dør ramme, håndtag og andre dele kan være forskellige på forskellige modeller. Alle foto og tegninger i denne manual er kun for reference.

Installation af dørhåndtag og vending af dør

1. Monter håndtaget på dør rammen.

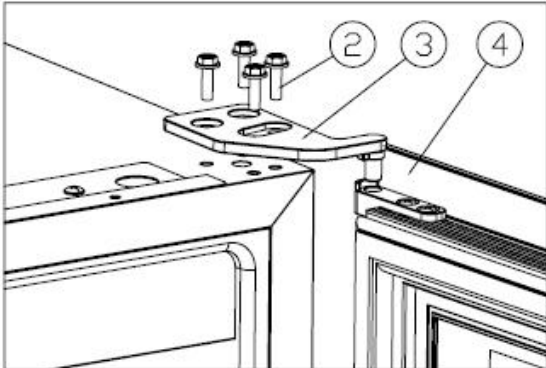
Håndtaget følger med i en separate pakke med skruer og ligger i skabet..

① Ved at trække et lille stykke af gummilisten fri, kan man se 2 småskruer huller i dørrammen ② Sæt skruerne i hullerne indefra og monter håndtaget på ydersiden af døren ③ Stram skruerne med en skruetrækker ④ Sæt gummilisten på plads igen.



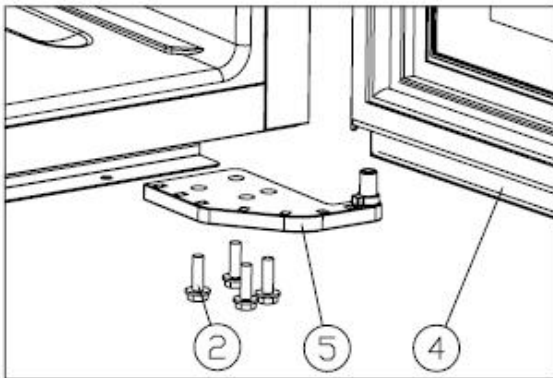
2. Vending af døren

Vinkøleskabet er leveret med åbning fra venstre til højre. For at vende
åbningsretningen:



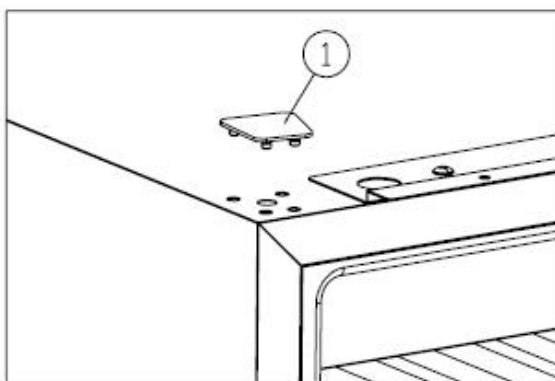
Figur 1

- ✧ Åben døren 90 grader og hold den stille.
- ✧ Løsn M5*16 skruer, Fjern det øverste hængsel, mens døren holdes, og løft døren af. [Figur 1].



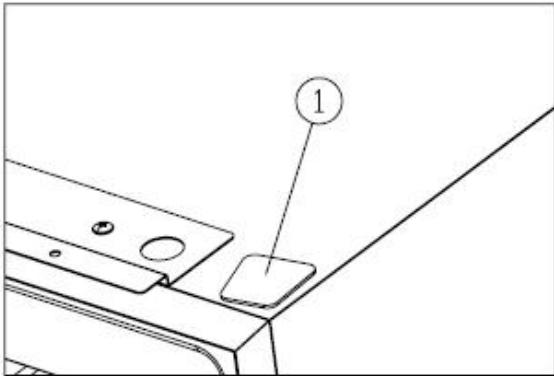
Figur 2

- ✧ Løsn M5*16 skruer②, fjern det nederste hængsel⑤.[Figur 2]



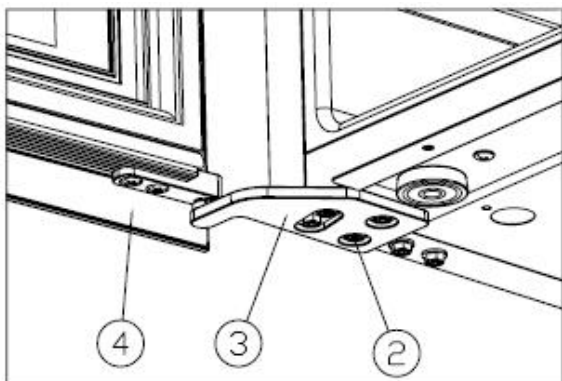
Figur 3

- ✧ Fjern det midlertidige dæksel①.[Figur 3]



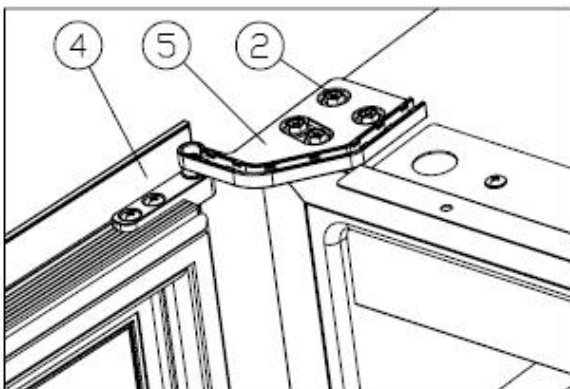
Figur 4

- ✧ Monter det midlertidige dæksel i modsatte side①.[Figur 4]



Figur 5

- ✧ Monter det øverste hængsel ③, og stram M5*16 skruer②.[Figur 5]



Figur 6

- ✧ Vend døren④ 180 grader rundt, og monter det nederste hængsel, Stram M5*16 skruer②.[Figur 6]Dør vendingen er fortaget..

Betjening

Opstart

1. Rengøring af skabet

Før strømmen tilsluttes bør apparatet rengøres. (For detaljer, se “Vedligeholdelse og Rengøring”)

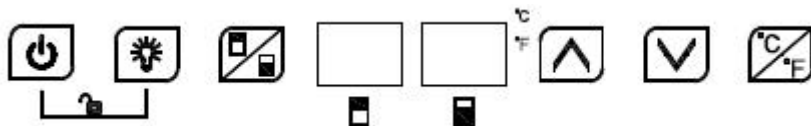
2. Placering

Før skabet tilsluttes strøm, bør det stå i mindst 30 minutter.

3. Tilslut og tænd

Apparatet vil starte nedkøling som tager ca. 1 time inden det kan mærkes.

Kontrolpanel



Alle knapper virker ikke hvis skabe er i “Låst mode”. Husk at låse op først.

ON/OFF

- Hold knappen inde i 3 sekunder, for at tænde.
- Hold knappen inde i 3 sekunder for at slukke.

Lys

Tryk på knappen, for at tænde eller slukke LED lyset inde i skabet.

Zone skift

Tryk på knappen for at skifte mellem den øverste og den nederste zone og vælg hvilken zone du vil indstille temperaturen i. Når du trykker blinker lyset i det display som du indstiller. Tryk på op og ned knappen for at indstille temperaturen. Tryk på knappen igen for at indstille den anden zone.

OP

Tryk på knappen én gang, LED Display blinker og viser den faktiske temperatur. Fortsæt med at trykke for at justerer den ønskede temperatur, et tryk øger temperaturen med 1°C. Efter 5 sekunder uden tryk på knappen holder displayet opmed at blinke og den nye temperatur er sat. LED displayet viser nu den faktiske temperatur i skabet.



Tryk på knappen én gang, LED Display blinker og viser den faktiske temperatur. Fortsæt med at trykke for at justerer den ønskede temperatur, et tryk sænker temperaturen med 1°C. Efter 5 sekunder uden tryk på knappen holder displayet opmed at blinke og den ny temperatur er sat. LED displayet viser nu den faktiske temperatur i skabet.



Børnelås (Kombinations knap)

1. Lås : Tryk begge knapper samtidigt i 3 sekunder for at låse.
2. Lås op : Tryk begge knapper samtidigt i 3 sekunder for at låse op.



Fahrenheit/Celsius display skift

Skift temperaturvisning i displayet mellem Fahrenheit og Celsius ved at trykke på begge knapper.

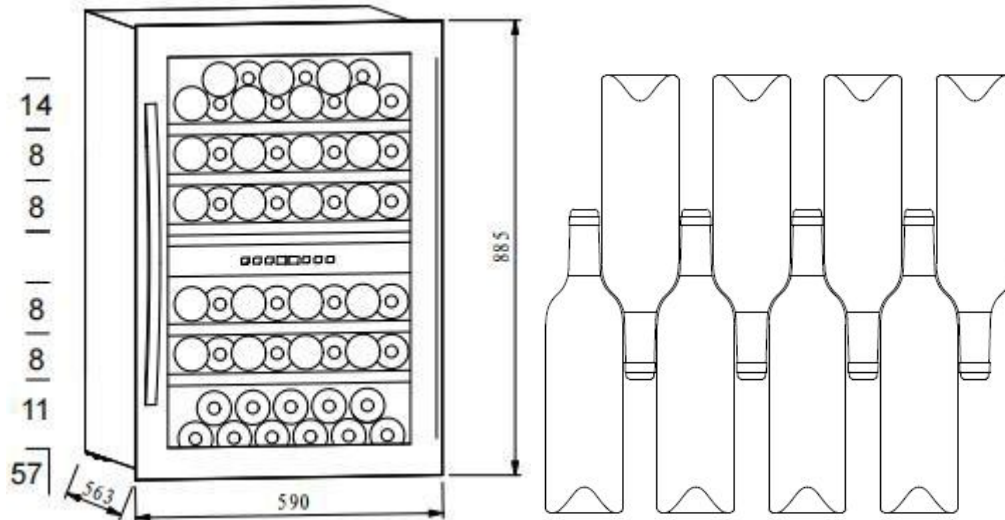


Bemærk

1. Produktet er indstillet til 12°C fra fabrikken. Den korrekte temperatur til den enkelte vin skal indstilles af brugeren
2. Temperaturen kan justeres fra 5 til 20°C. Temperaturen i den nederste zone kan kun indstilles til det samme eller højere end den øverste zone.
3. Alarm lyd: Hvis systemet svigter, vil en alarm lyde. Tryk på en vilkårlig knap på kontrol panelet for at annullere lyden.
4. Fejl kode:
5. Hvis en temperature sensor svigter, vil displayet vise E1 for midlertidig fejl; E2 for kortslutning.
6. Hvis afrimnings sensor fejl opstår, vises fejlkode: E3 for åbent kredsløb; E4 for kortslutning
7. Hvis temperaturføleren for den nederste zone fejler, vises fejlkoden: E5 for åbent kredsløb; E6 for kortslutning

Opbevaring af vin

- ✧ Dette vinkøleskab har individuelle hylder til opbevaring af din vin, stille og roligt uden at flasken skal flyttes hele tiden.
- ✧ 5 træhylder kan opbevare: **57** flasker. (standard Bordeaux 750ml)



- ✧ Opbevaringskapacitet kan variere i.h.t. flaskernes placering og størrelser.
- ✧ Hver hynde er designet to 1 eller 2 lag af flasker. Mere end 2 lag af flasker perhynde kan ikke anbefales.
- ✧ Hver hynde kan trækkes delvis ud for nemmere adgang
- ✧ Åben døren helt op inden hynderne trækkes ud.
- ✧ Undgå at blokerer ventilatoren med genstande, da det vil skade køle evnen.
- ✧ Hvis skabet er tomt I længere tid, anbefaler vi at skabet slukkes, rengøres, ogåben døren for udluftning.
- ✧ Nedenstående er vores anbefaling for temperaturer til opbevaring og drikning:

Rødvín	15-18°C
Hvidvín	9-14°C
Rose vín	10-11°C
Champagne & mousserende vín	5- 8°C

Problemløsning

Apparatet larmer meget?	<ul style="list-style-type: none"> ● Juster de forreste fødder, for at holde apparatet i vater/lige ● Undgå at apparatet rører ved væggen bag.
Væske lyd indefra skabet?	<ul style="list-style-type: none"> ● Dette er normal medens apparatet kører
Apparatet kan ikke starte?	<ul style="list-style-type: none"> ● Forvis dem om at stikket er sat i og strømmen tændt ● Kompressoren vil auto starte efter 5 minutter efter strømsvigt
Kompressoren kører heletiden?	<ul style="list-style-type: none"> ● Hvis der ikke producers kulde skal der ringes efter service
Dør gummiliste slutter ikke tæt?	<ul style="list-style-type: none"> ● Efter lang tids brug kan gummilisten blive stiv og ude af facon. <ol style="list-style-type: none"> 1. Opvarm gummilisten med varm luft blæser eller et varmt håndkæde. 2. Gummilisten bliver blød og døren kan lukkes.
Apparatet køler ikke effektivt?	<ul style="list-style-type: none"> ● Juster temperaturen på displayet ● Hold apparatet væk fra sollys og varmekilder. ● Åben ikke døren konstant.
Ubehagelig lugt inde i skabet?	<ul style="list-style-type: none"> ● En smule plastik lugt i nye apparater er normalt og vil forsvinde efter et stykke tid. ● Rengør apparatet og udluft det i et stykke tid.
Kondensvand på glas døren?	<ul style="list-style-type: none"> ● Åben ikke døren konstant, lad den være lukket i længere tid. ● Sæt ikke temperature for lavt ● Høj temperatur og luftfugtighed i omgivelserne skaber også kondens i skabet.
Lyset virker ikke?	<ul style="list-style-type: none"> ● Forvis dem om stikket er sat i og strømmen tændt. ● Ring efter service hvis lyset er itu.

Vedligeholdelse og rengøring

Rengøring

- Sluk for strømmen og træk stikket ud inden rengøring begynder.
- Rens apparatet med en fugtig klud eller svamp med vand.
- Brug ikke rengøringsmidler, opvaskemiddel, kogende vand, vaskepulver eller lignende.
- Skyl ikke apparatet hverken indvendigt eller udvendigt.

Nedenstående vil ødelægge overflade på apparatet:



Strømsvigt

De fleste strømsvigt ophører efter kort tid. For at beskytte vinen i tilfælde af strømsvigt bør du undgå at åbne døren.

Ude af brug i længere tid

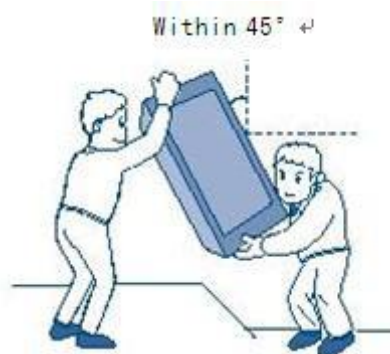
Fjern alle flasker fra apparatet, sluk apparatet og træk stikket ud, defrost, rengørskabet og lad døren stå åben for udluftning.



Hvis apparatet slukkes eller der er strømsvigt, vent venligst 5 minutter inden gen-start.

Flytning af apparatet

- Sluk for strømmen og træk stikket ud
- Fjern alle flasker.
- Under flytning må apparatet ikke tippe/hældemere end 45°.



Tekniske specifikationer

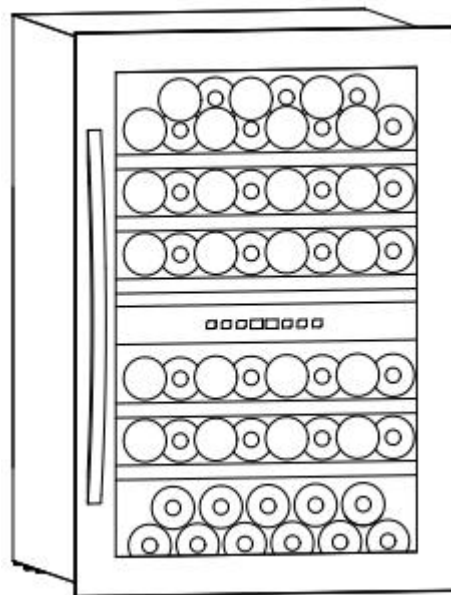
Produkt model	CC1152DB
Volt/frekvens	220-240V~/50Hz
Kølemiddel/vægt	R600a/32g
Effektiv volumen	143L
Flaske kapacitet	57 flasker
Neto vægt	42kg
Skabets størrelse (BxDxH)	590X563X885
Pakke størrelse (BxDxH)	650X650X945

Bemærk:

1. Netto vægten er inklusive hylder og størrelse er uden håndtag monteret.
2. Yderligere oplysninger ses på siden eller bagsiden apparatets label
3. Flaske kapacitet kan variere alt efter antal hylder og flaske størrelser (standardBordeaux with 750ml er brugt her).

Weinkühlschrank Bedienungsanleitung

CCI152DB



NOTE: Danke für Ihren Kauf dieses Weinkühlschranks! Dieses Produkt wird zum Kühlen von Rotwein verwendet. Unser Produkt schafft die perfekte Temperatur- und Luftfeuchtigkeitsumgebung, um Ihre Weinsammlung zu lagern.



Content

Sicherheit und Warnungen	1-2
Installation	3
Beschreibung des Geräts	4-6
Bedienung	7-9
Problembehebung	10
Wartung und Reinigung.....	11
Technische Spezifikationen.....	12

Sicherheit und Warnungen

Ihre Sicherheit ist unserem Unternehmen äußerst wichtig. Bitte lesen Sie vor der Nutzung diese Anleitung. Falls Sie zu einigen Angaben in dieser Anleitung Fragen haben, können Sie uns gerne kontaktieren.



Prohibition



Warning



Caution



Caution

- Dieses Gerät kann von Kindern ab 8 Jahren und darüber sowie von Personen mit verringerten physischen, sensorischen oder geistigen Fähigkeiten oder Mangel an Erfahrung und Wissen benutzt werden, wenn sie beaufsichtigt oder bezüglich des sicheren Gebrauchs des Geräts unterwiesen wurden und die daraus resultierenden Gefahren verstehen. Kinder dürfen nicht mit dem Gerät spielen. Reinigung und Wartung durch den Benutzer dürfen nicht von Kindern ohne Aufsicht durchgeführt werden.
- Dieses Gerät sollte nicht von Kindern bedient werden. Kinder dürfen nicht mit dem Gerät spielen, da dies mit Gefahren verbunden sein kann.
- Diese Geräte sind zur Nutzung im Haushalt konzipiert und nicht für die professionelle Nutzung oder die Industrie.



Warning

- Die Lüftungsöffnungen am Gerät und die Lüftung müssen beim Einbau freigehalten werden.
 - Aus Sicherheitsgründen und um die optimale Funktion des Weinkühlschranks zu gewährleisten, müssen alle Weinkühlschränke eine Erdung besitzen und präzise waagrecht und senkrecht ausgerichtet sein
- Es dürfen keine mechanischen Geräte oder andere Hilfsmittel verwendet werden, um das Enteisen und Abtauen zu beschleunigen.
 - Die Kühlrohre u. Ä. nicht beschädigen
 - Im Schrank keine elektrischen Geräte verwenden.
 - Das Gerät darf nur gemäß Etikett an der Seite oder Rückseite des Geräts angeschlossen werden.
 - Das Gerät an 220-240 V / 50 Hz Wechselstrom über eine korrekt installierte Steckdose mit Erdung anschließen. Die Steckdose muss mit einer Sicherung von 10 -13 A gesichert sein. Der Weinkühlschrank verfügt über einen Schuko-Stecker, der in den meisten europäischen Ländern Standard ist. Es ist ein Stecker mit zwei Kontaktstiften.
 - Falls bei Ihnen eine 3-polige Steckdose vorhanden sein sollte, können Sie beim Händler Ihres Vertrauens einen Adapter kaufen, der einfach aufgesteckt werden kann. Alternativ können Sie oder ein autorisierter Elektroinstallateur den Stecker durch einen Stecker mit drei Kontaktstiften ersetzen.
 - Der Stecker sollte im Falle eines Not-Ausschaltens leicht zugänglich sein.
 - In der Nähe des Geräts oder im Gerät dürfen Benzin, brennbare Flüssigkeiten und Ähnliches nicht aufbewahrt werden.

Kindersicherheit

- Kindern darf das Spielen im Schrank nicht gestattet werden, da sie versehentlich eingesperrt werden können.
- Kindern darf das Spielen mit oder Hängen an der Tür nicht gestattet werden, da der Schrank umkippen kann.
- Kindern darf aus Sicherheitsgründen das Berühren des Kompressors oder anderer Dinge nicht gestattet werden.

Der Weinkühlschrank verträgt kein Wasser

- Es darf kein Wasser in den Schrank gespritzt oder gegossen werden, da die Gefahr eines Kurzschlusses besteht.

Frostschäden vermeiden

- Die Innenflächen nicht mit nassen Händen berühren, da dies Frostschäden verursachen kann.

Die Tür nicht längere Zeit öffnen

- Falls die Tür lange Zeit offen steht, wird die Kühlfähigkeit beeinträchtigt.

Den Schrank nicht verändern

- Es dürfen keine Änderungen an der Konstruktion des Schanks vorgenommen werden, da so das Gerät beschädigt werden kann.

In folgenden Fällen die Stromzufuhr unterbrechen und den Stecker herausziehen

- Vor der Reinigung und Wartung die Stromzufuhr unterbrechen und den Stecker herausziehen.
- Den Stecker im Falle eines Stromausfalls im Haus oder Gebiet herausziehen.

Entsorgung des Geräts

- Bitte beachten Sie die örtlichen Vorschriften bezüglich der Entsorgung des Geräts für entzündliche Kältemittel und Blaugase.
- Vor der Entsorgung des Geräts sollte die Tür demontiert werden, damit die Kinder nicht mit dem Gerät spielen.
- Das Gerät auf dem nächsten Recyclinghof entsorgen.



Keine Schäden am Kabel verursachen

- Den Stecker nicht durch Ziehen an der Leitung herausziehen, sondern nur direkt am Stecker ziehen.
- Das Gerät nicht auf die Leitung stellen.
- Beim Verschieben des Schanks die Leitung aufrollen, um Schäden zu vermeiden.

Bei einer beschädigten Leitung

- Eine beschädigte Leitung nicht verwenden, sondern eine neue von einem autorisierten Monteur anbringen lassen.
- Bei Bedarf das Netzkabel durch einen qualifizierten Elektriker mit einem Kabel von 0,75 mm² oder größer verlängern lassen.

Installation

Position

⚠ Beim Verschieben des Geräts sollte es um nicht mehr als 45° geneigt werden.

⚠ Das Gerät muss auf einen ebenen, festen und trockenen Boden oder eine ähnliche nicht brennbare Unterlage gestellt werden; verwenden Sie nicht die Schaumstoffunterlage aus dem Paket. **STELLEN SIE EINEN EINGEBAUTEN WEINKÜHLER NICHT AUF EINE BEHEIZTE FLÄCHE WIE Z. B. EINEN BEHEIZTEN FUSSBODEN STELLEN. DIES BEEINTRÄCHTIGT DAS GERÄT.**

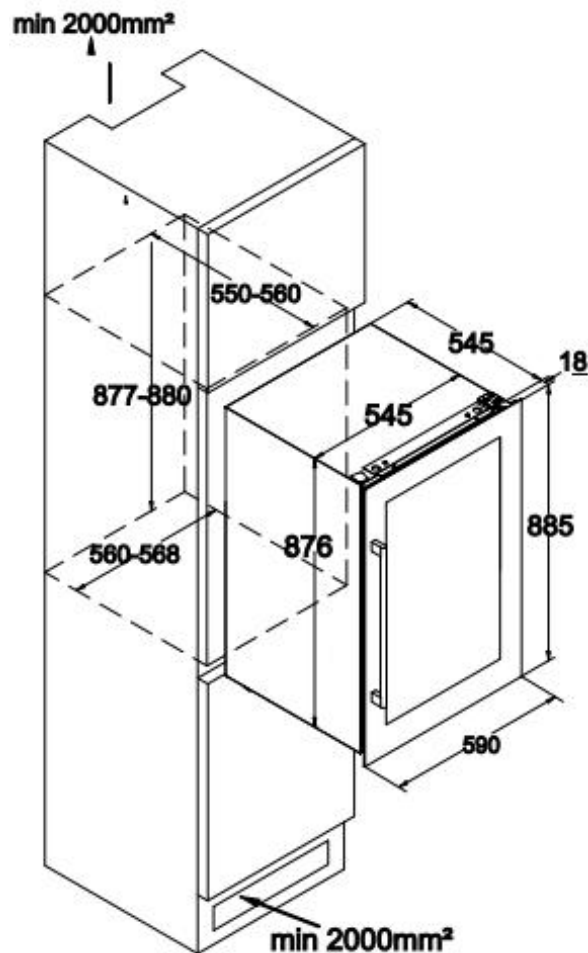
⚠ Das Gerät nicht in einen feuchten Raum stellen.

⊘ Das Gerät nicht in einen Raum stellen, in dem Frost auftreten kann.

⊘ Das Gerät nicht nach draußen stellen.

Dieser Weinkühlschrank ist für den Einbau konzipiert.

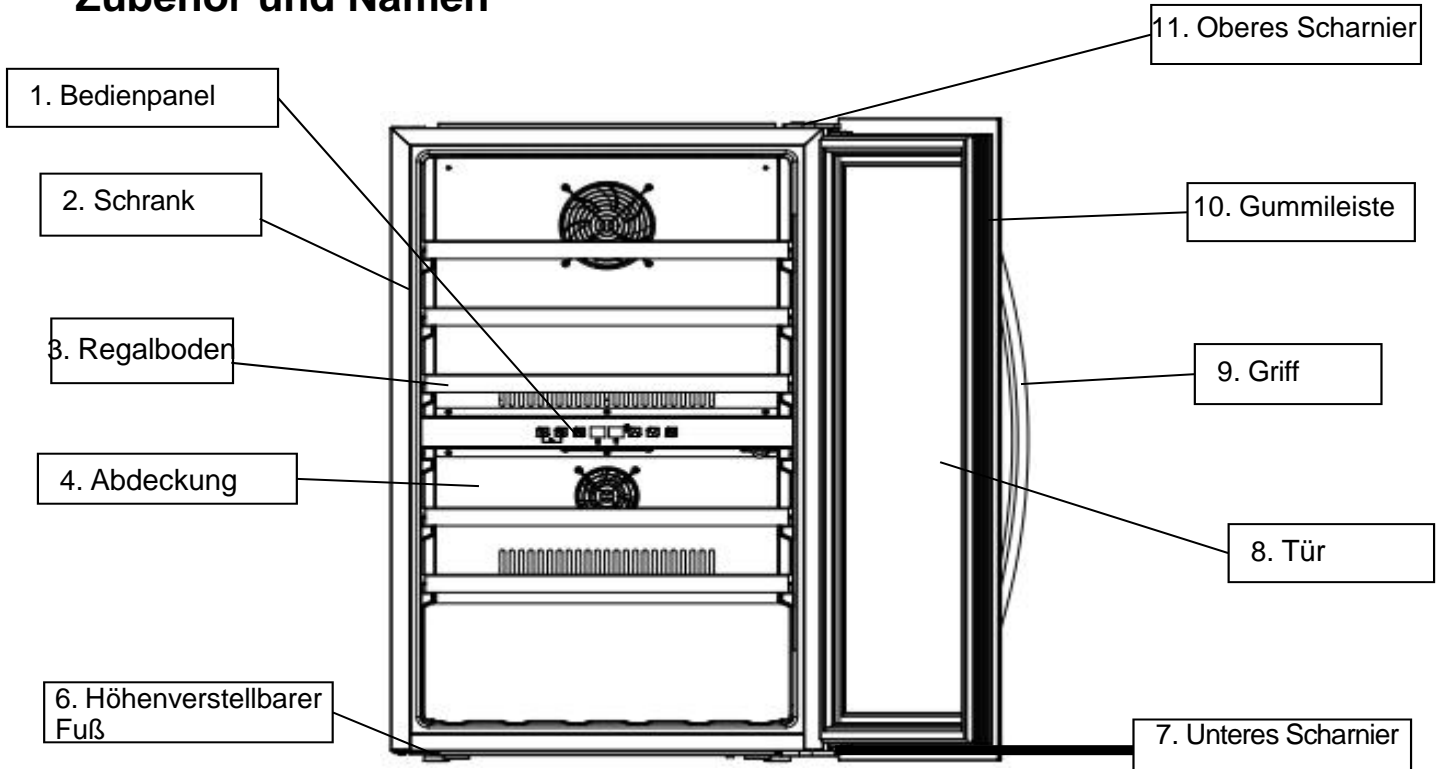
Siehe unten zur Integration:



Die Weinflaschen können im Schrank gelagert werden, sobald nach ca. 1 Stunde eine Kühlung im Schrank spürbar ist.

Beschreibung des Geräts

Zubehör und Namen



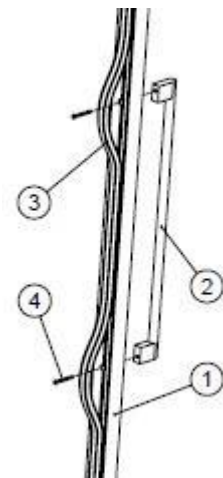
Achtung: Regalböden, Türrahmen, Griff und weitere Teile können bei den verschiedenen Modellen unterschiedlich ausfallen. Alle Abbildungen und Skizzen in dieser Anleitung sind nur eine Referenz.

Installation des Türgriffs und Wechsel des Türanschlags

1. Den Griff am Türrahmen montieren.

Der Griff liegt in einem separaten Paket mit Schrauben bei und liegt im Schrank.

- ① Durch das Hervorziehen eines kleinen Stücks der Gummileiste werden 2 Löcher für kleine Schrauben sichtbar.
- ② Die Schrauben von innen in die Löcher platzieren und den Griff an der Außenseite der Tür montieren.
- ③ Die Schrauben mit einem Schraubenzieher anziehen.
- ④ Die Gummileiste erneut anbringen.



2. Wechseln des Türanschlags

Der Weinkühlschrank wird mit einer Öffnung von links nach rechts geliefert. Zum Wechseln des Türanschlags:

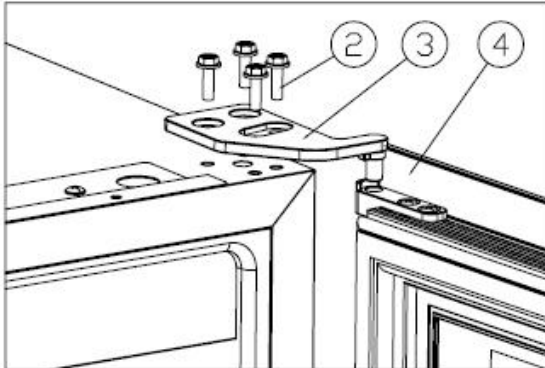


Abb. 1

- ✧ Die Tür um 90 Grad öffnen und sie festhalten.
- ✧ Die M5*16 -Schrauben lockern, das obere Scharnier entfernen, während die Tür festgehalten wird, und die Tür abheben. [Abb. 1].

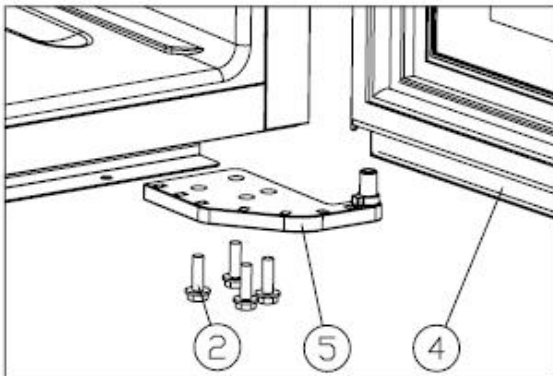


Abb. 2

- ✧ Die M5*16-Schrauben lockern, das untere Scharnier entfernen^⑤. [Abb. 2]

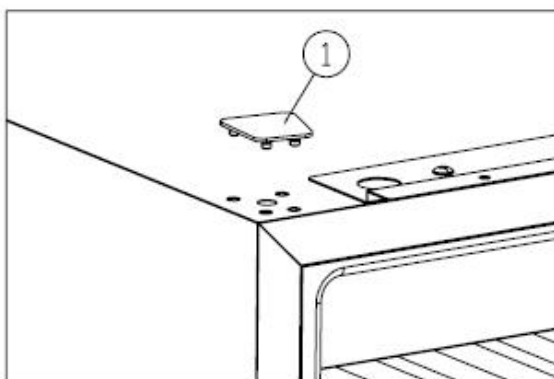


Abb. 3

- ✧ Die Abdeckung entfernen^①. [Abb. 3]

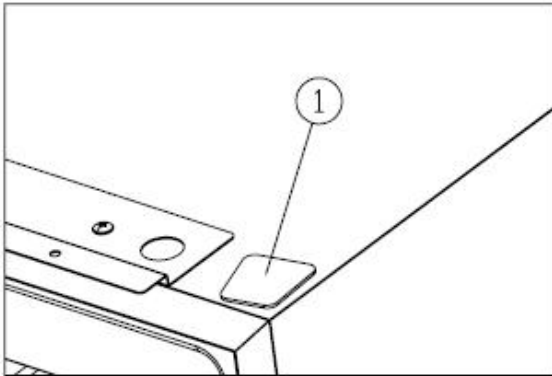


Abb. 4

- ✧ Die provisorische Abdeckung auf der entgegengesetzten Seite montieren ①.[Abb. 4]

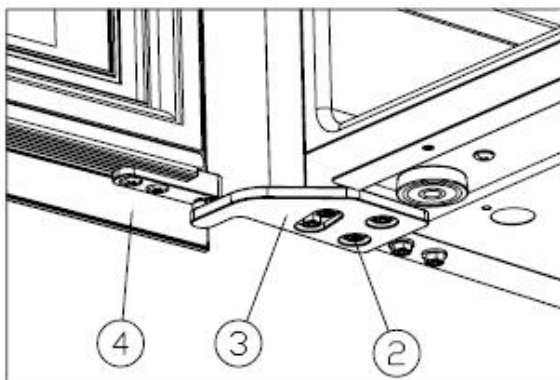


Abb. 5

- ✧ Das obere Scharnier montieren ③ und die M5*16-Schrauben anziehen ②.[Abb. 5]

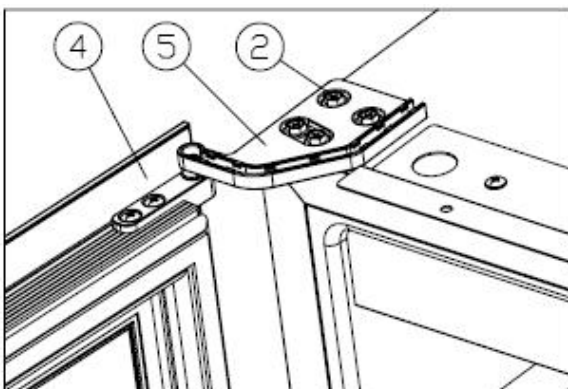


Abb. 6

- ✧ Die Tür ④ um 180 Grad wenden, das untere Scharnier montieren und die M5*16-Schrauben anziehen ② [Figure 6] Das Wechseln des Türanschlags ist erfolgt.

Bedienung

Start

1. Reinigung des Schrankes

Vor dem Anschließen des Stroms sollte das Gerät gereinigt werden (Details siehe „Wartung und Reinigung“)

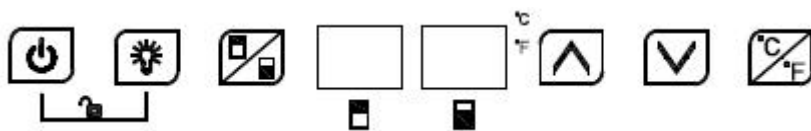
2. Platzierung

Bevor der Schrank an die Stromquelle angeschlossen wird, muss er mind. 30 Minuten lang stehen.

4. Anschluss und Einschalten

Das Gerät beginnt mit dem Kühlprozess, dessen Effekt nach ca. 1 Stunde merkbar ist.

Bedienpanel



Sämtliche Tasten funktionieren nicht, wenn sich der Schrank im Verriegelungsmodus befindet. Bitte zuerst entriegeln.

EIN/AUS

1. Zum Einschalten die Taste 3 Sekunden lang gedrückt halten.
2. Zum Ausschalten die Taste 3 Sekunden lang gedrückt halten.

Licht

Die Taste betätigen, um das LED-Licht im Schrank ein- und auszuschalten.

Zonenwechsel

Drücken Sie die Taste, um zwischen der oberen und der unteren Zone umzuschalten und die gewünschte Zone für die Temperatureinstellung auszuwählen. Drücken Sie die Taste einmal, die LED-Anzeige der gewählten Zone blinkt regelmäßig. Drücken Sie die Auf- und Ab-Tasten, um die Temperatur einzustellen. Drücken Sie die Taste erneut, um die Zone zu wechseln und die Temperatur einzustellen.

Op

Die Taste einmal betätigen. Das LED-Display blinkt und zeigt die reelle Temperatur an. Zum Einstellen der gewünschten Temperatur weiterhin drücken. Ein Druck erhöht die Temperatur um 1°C. Nach 5 Sekunden ohne Betätigen der Taste blinkt das Display nicht mehr und die neue Temperatur ist eingestellt. Das LED-Display zeigt nun die reelle Temperatur im Schrank an.

 **Unten**

Die Taste einmal betätigen. Das LED-Display blinkt und zeigt die reelle Temperatur an. Zum Einstellen der gewünschten Temperatur weiterhin drücken. Ein Druck senkt die Temperatur um 1°C. Nach 5 Sekunden ohne Betätigen der Taste blinkt das Display nicht mehr und die neue Temperatur ist eingestellt. Das LED-Display zeigt nun die reelle Temperatur im Schrank an.

**Kindersicherung (Kombinationstasten)**

1. Verriegeln: Zum Verriegeln beide Tasten 3 Sekunden lang gedrückt halten.
2. Entriegeln: Zum Entriegeln beide Tasten 3 Sekunden lang gedrückt halten.

**Wechsel Fahrenheit/Celsius Anzeige**

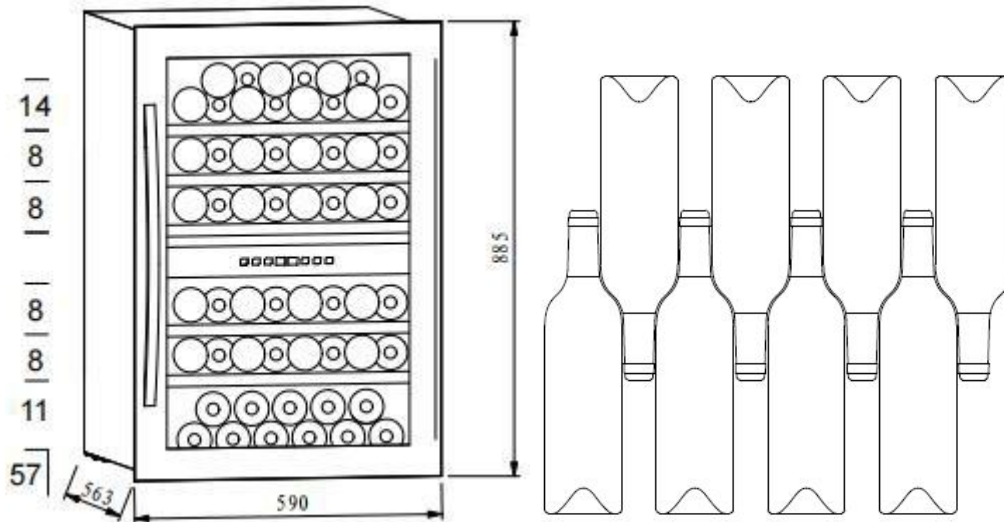
Durch einen Druck auf die Tasten wird die Temperaturanzeige am Display zwischen Celsius und Fahrenheit gewechselt.

 **Achtung**

1. Das Produkt ist werksseitig auf 12 °C eingestellt. Die für den jeweiligen Wein korrekte Temperatur muss vom Nutzer eingestellt werden.
2. Die Temperatur kann von **5 bis 20 °C** eingestellt werden.
3. Alarmgeräusche: Falls das System ausfällt, ertönt ein Alarm. Um das Geräusch auszuschalten, eine beliebige Taste am Bedienpanel aktivieren.
4. Ausfall eines Temperatursensors:
5. Falls ein Temperatursensor ausfällt, wird auf dem Display E1 bei einem vorübergehenden Fehler und E2 bei einem Kurzschluss angezeigt

Lagerung von Wein

- ✧ Dieser Weinkühlschrank verfügt über individuelle Regalböden zum Lagern Ihres Weins - ohne dass die Flaschen konstant verlagert werden müssen.
- ✧ 5 Holzregalböden können: **57** Flaschen fassen. (Standard-Bordeauxflaschen von 750 ml)



- ✧ Die Lagerungskapazität kann je nach Platzierung und Größe der Flaschen variieren.
- ✧ Jeder Regalboden ist für 1 oder 2 Flaschenschichten konzipiert. Mehr als 2 Flaschen pro Regalboden sind nicht empfehlenswert.
- ✧ Jeder Regalboden ist für einen leichteren Zugriff teilweise herausziehbar.
- ✧ Vor dem Herausziehen der Regalböden die Tür komplett öffnen.
- ✧ Das Gebläse sollte nicht mit Gegenständen blockiert werden, da dies die Kühlfähigkeit beeinträchtigt.
- ✧ Falls der Schrank längere Zeit leersteht, empfehlen wir, den Schrank auszuschalten, zu reinigen und die Tür zum Lüften zu öffnen.
- ✧ Nachfolgend unsere Empfehlung für Temperaturen zur Lagerung und zum Genuss:

Rotwein	15-18°C
Weißwein	9-14°C
Roséwein	10-11°C
Champagner & Schaumweine	5- 8°C

Problembesehung

Das Gerät ist sehr laut?	<ul style="list-style-type: none"> ● Die vorderen StandfüÙe justieren, um das Gerät waagerecht zu halten. ● Das Gerät sollte nicht die Hinterwand berühren.
Flüssigkeitsgeräusch aus dem Schrankinneren?	<ul style="list-style-type: none"> ● Dies ist während des Betriebs normal.
Das Gerät startet nicht?	<ul style="list-style-type: none"> ● Stellen Sie sicher, dass der Stecker eingesteckt und der Strom eingeschaltet ist. ● Der Kompressor startet automatisch nach 5 Minuten nach einem Stromausfall.
Der Kompressor läuft konstant?	<ul style="list-style-type: none"> ● Falls keine Kälte erzeugt wird, muss der Service kontaktiert werden.
Die Gummileiste an der Tür schließt nicht komplett?	<ul style="list-style-type: none"> ● Nach langer Nutzung kann die Gummileiste steif und unförmig werden. <ol style="list-style-type: none"> 1. Die Gummileiste mit einem Warmluftgebläse oder einem warmen Handtuch aufwärmen. 2. Die Türdichtung wird weicher und die Tür schließt sich.
Das Gerät kühlt nicht effektiv?	<ul style="list-style-type: none"> ● Die Temperatur am Display justieren. ● Das Gerät von Sonnenlicht und Wärmequellen fernhalten. ● Die Tür nicht konstant öffnen.
Im Schrank tritt ein unangenehmer Geruch auf?	<ul style="list-style-type: none"> ● Ein leichter Kunststoffgeruch in neuen Geräten ist normal und verschwindet nach kurzer Zeit. ● Das Gerät reinigen und eine Zeit lang auslüften.
Kondensatbildung an der Glastür?	<ul style="list-style-type: none"> ● Die Tür nicht konstant öffnen; längere Zeit geschlossen lassen. Die Temperatur nicht zu niedrig einstellen. ● Eine hohe Temperatur und Luftfeuchtigkeit in der Umgebung führen ebenfalls zur Kondensatbildung im Schrank.
Das Licht funktioniert	<ul style="list-style-type: none"> ● Stellen Sie sicher, dass der Stecker eingesteckt und

Wartung und Reinigung

Reinigung

- Vor der Reinigung die Stromzufuhr unterbrechen und den Stecker herausziehen.
- Das Gerät mit einem feuchten Tuch oder einem nassen Schwamm reinigen.
- Keine Reinigungsmittel, Geschirrspülmittel, kochendes Wasser, Waschpulver oder Ähnliches verwenden.
- Das Gerät weder von außen noch innen ausspülen.
- Reinigen Sie regelmäßig Oberflächen, die mit zugänglichen Entwässerungssystemen in Berührung kommen können.

Folgendes zerstört die Oberfläche des Geräts:



Stromausfall

Die meisten Stromausfälle gehen nach kurzer Zeit vorüber. Um den Wein im Falle eines Stromausfalls zu schützen, sollte ein Öffnen der Tür vermieden werden.

Längere Zeit nicht in Betrieb

Entfernen Sie alle Flaschen aus dem Gerät, schalten Sie das Gerät aus und ziehen Sie den Stecker heraus. Tauen Sie es ab, reinigen Sie den Schrank und lassen Sie die Tür zum Lüften offen.



Falls das Gerät ausgeschaltet wird oder ein Stromausfall vorliegt, bitte 5 Minuten bis zum Neustart warten.

Verschieben des Geräts

- Die Stromzufuhr unterbrechen und den Stecker herausziehen.
- Alle Flaschen entfernen.
- Beim Verschieben darf das Gerät nicht um mehr als 45° geneigt/gekippt werden



Tekniske specifikationer

Product model	CC1152DB
Volt/Frequenz	220-240V~/50Hz
Kühlmittel/Gewicht	R600a/32g
Effektives Volumen	143L
Flaschenkapazität	57 flaschen
Nettogewicht	42kg
Größe des Schrankes (BxTxH)	590X563X885
Paketgröße (BxTxH)	650X650X945

Achtung:

1. Das Nettogewicht ist einschließlich Regalböden und die Größe ist ohne montierten Griff.
2. Weitere Informationen gehen aus der Plakette an der Seite oder der Rückseite des Geräts hervor.
3. Die Flaschenkapazität kann je nach Anzahl der Regalböden und der Flaschengrößen variieren (hier wurde eine Standard-Bordeauxflasche von 750 ml zugrunde gelegt).